

SIEMENS
Ingenuity for life

e-Car Charging VersiCharge IEC

Unrestricted © Siemens AG 2018

[siemens.com/versicharge](https://www.siemens.com/versicharge)



VersiCharge IEC

Top highlights

Your benefit



Function



Charging delay
(2/4/6/8 hours)

Protection class IP 56
Dirt proof industrial design

6mA DC detection integrated
(5TT3201-1VR03)

External switch

Cable management

Benefit



Use off-peak tariffs or charge with photovoltaic current

Use in outdoor applications in private garages / carports or semi-public parking lots

No additional hardware and installation needed

Access Management via external RFID reader

Clean and tidy

VersiCharge IEC

Technical overview

- **Input voltage**
230 V AC
- **Max. rated current**
20 A / 32 A
- **Output power**
4,6kW / 7,2kW / 22kW
- **Wire cross-section**
2,5 mm² (20 A) - 10 mm² (32 A)

- **Cord length**
4 m / 7 m
- **Connector**
Type 2: IEC 62196

- **Enclosure**
Protection class IP56



- **Dimension (W/H/D)**
36,9 cm / 40,7 cm / 16,6 cm
- **Weight**
5,67 kg

- **Communication**
Status via LED
On/off via external switch

- **Operating temperature**
-35° C to +50° C
- **Storage temperature**
-40° C to +60° C

VersiCharge IEC Variants

SIEMENS
Ingenuity for life

Variants

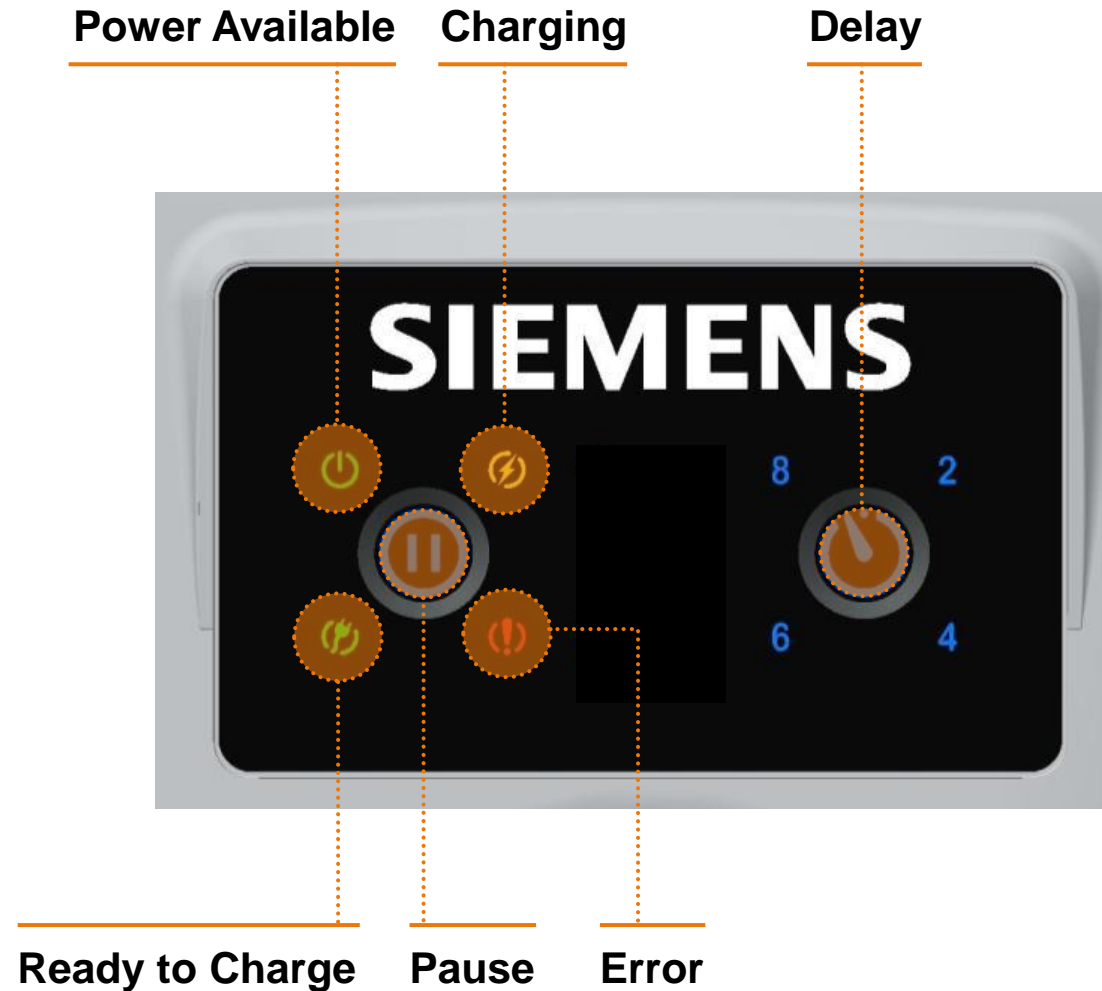
Ordernumber

Variants	Ordernumber
1 Phase	
1 Phase 20A 4 m Cable	<u>5TT3201-1VR00</u>
1 Phase 20 A 7m Cable	<u>5TT3201-1VR01</u>
1 Phase 32 A 7m Cable 6mA DC RCD	<u>5TT3201-1VR03</u>
3 Phase	
3 Phase 32 A 7m Cable	<u>5TT3201-1VR02</u>

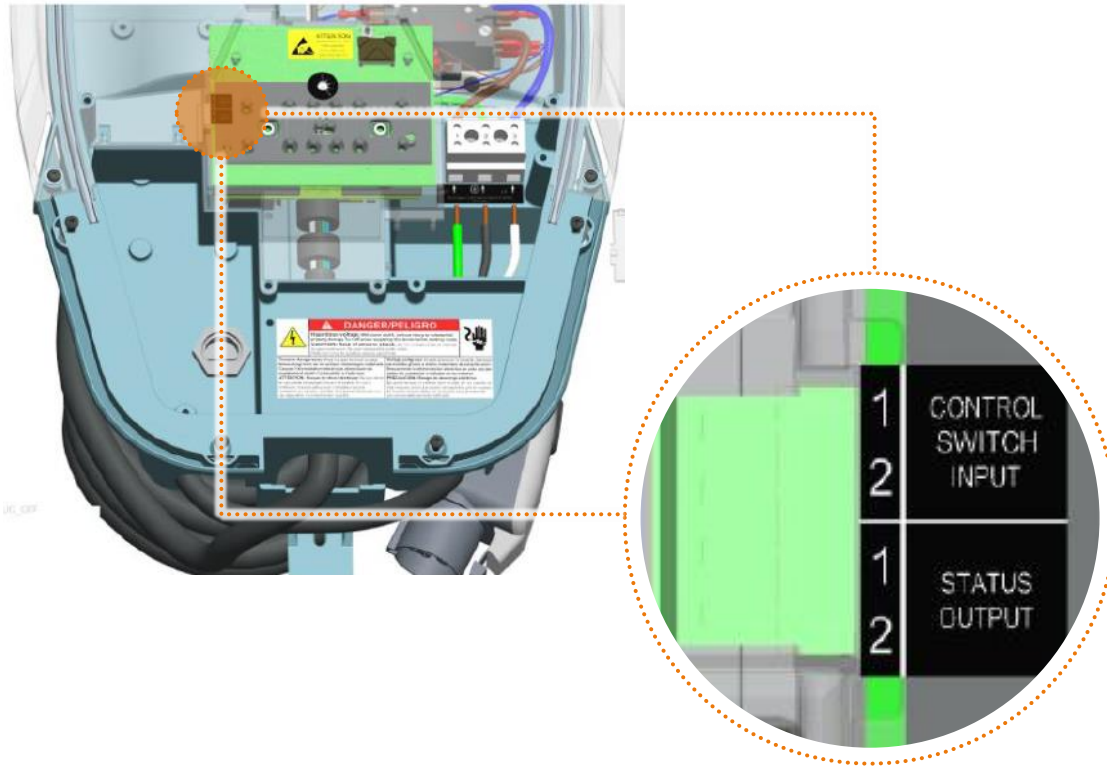


More information: <http://siemens.com/product?5TT32011>

VersiCharge IEC Operation



VersiCharge IEC Remote control



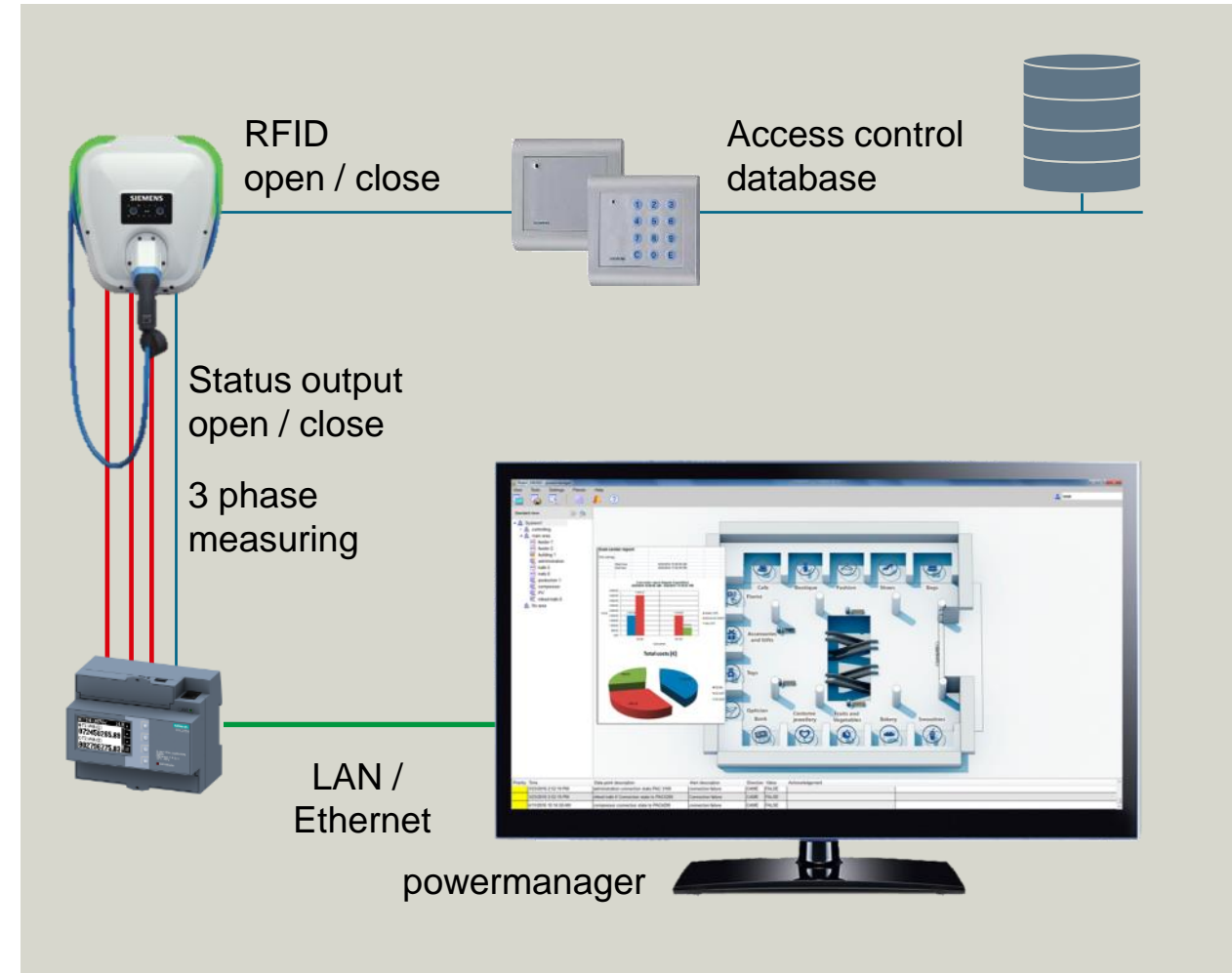
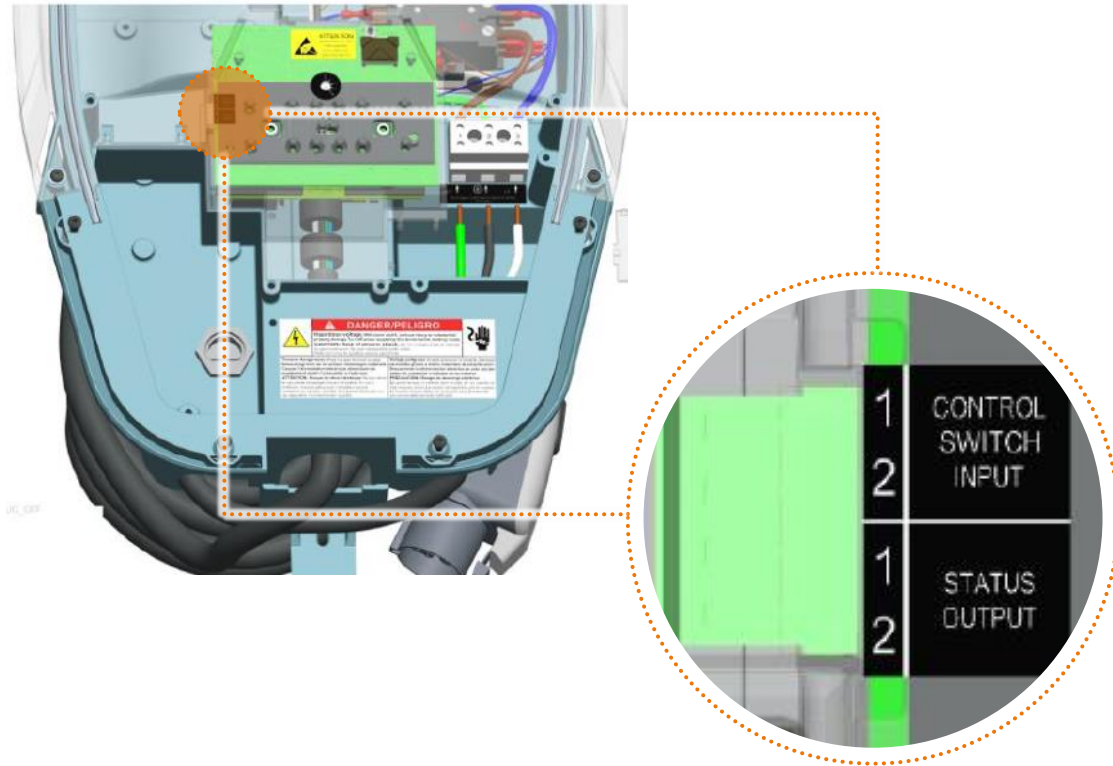
Typical uses

- Demand response pagers
- Remote switches
- Home automation systems
- Access Management (e.g. RFID)
- Demand management



External power supply necessary – on / off communication e.g. **Key Switch**

System overview VersiCharge IEC with local access control and metering



VersiCharge IEC Application

VersiCharge IEC best suited for ...

Private

A functional and robust design with oval surface for easy handling – even in tight garages and car ports.



Semi-Public

Hotel, AirBnB, Hospital, Company parking lot, parking garage



Thank you for your attention!

SIEMENS
Ingenuity for life



Subject to changes and errors. The information given in this document only contains general descriptions and/or performance features which may not always specifically reflect those described, or which may undergo modification in the course of further development of the products. The requested performance features are binding only when they are expressly agreed upon in the concluded contract.

All product designations, product names, etc. may contain trademarks or other rights of Siemens AG, its affiliated companies or third parties. Their unauthorized use may infringe the rights of the respective owner.

siemens.com